

Feeder Control Pan Light

The **AgriShift® FL Feed lamp** is designed to generate light at poultry specific wavelengths that attract the birds and encourage feeding, increasing the need to fill the control pan and thereby improving feed distribution.



Benefits

- Advanced 230 V LED draws birds to the control pan
- Promotes weight gain and bird uniformity, resulting in higher yields
- Patented spectral output for avian vision
- Corrosion resistant to withstand harsh environments
- Easy installation into existing motor lines
- Helps maintain even feed distribution



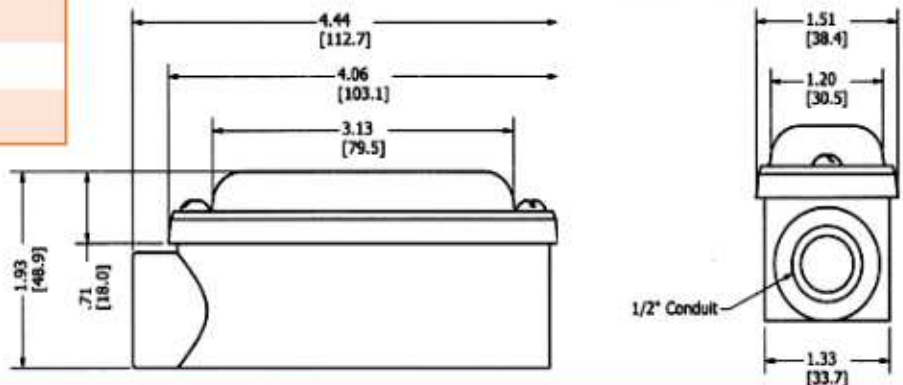
Specifications

Nominal Power	3 W (@full intensity)
Luminous Flux	130 lm human photopic
Input Voltage	230 VAC/50/60 Hz
Beam Angle	120 degrees
Light Output Equivalence	Up to 25W incandescent
Spectral Output	Full Spectrum White
Operating Temperature	-4°F to 104°F
Dimmable Range	Non-dimmable
Environmental Ratings	RoHS Compliant
Rated life	50,000 hours

Better access to feed can improve growth rates, reduce starve-outs and reduce aggressive feeding behavior!

Operating from the control pan motor circuit, the AgriShift® FL for broilers is a feeder control pan lighting fixture. The 3 Watt LED generates light at poultry-specific wave lengths, drawing in birds while encouraging continuous feed supply and avoiding "out of feed" situations. The increased control pan feeding evenly distributes food throughout the entire line.

The AgriShift® FL is an easy-to-install electrical junction box. It provides 200 lumens of directional light, equivalent to a 25W incandescent bulb.



INDIV



indiv.com

USA Headquarters

Springfield, MO.

Ph: 417-862-2673

Fax: 417-862-5434

E-mail: sales@indiv.com

