



# INDIV<sup>®</sup>

## LED Control Pan Feed Light



The AgriShift FL feed lamp is designed to generate light at poultry specific wavelengths that attract the birds and encourage feeding, increasing the need to fill the control pan and thereby improving feed distribution.

### Benefits

- Can be attached to a wide variety of control pans
- Promotes consistent feed distribution throughout the barn
- Reduces labor and maintenance costs of frequent lamp changes
- Mounts on the pan - no need to hang lamps from the ceiling
- Easily cleaned – sealed from dust and moisture
- Does not get hot – runs cool to the touch

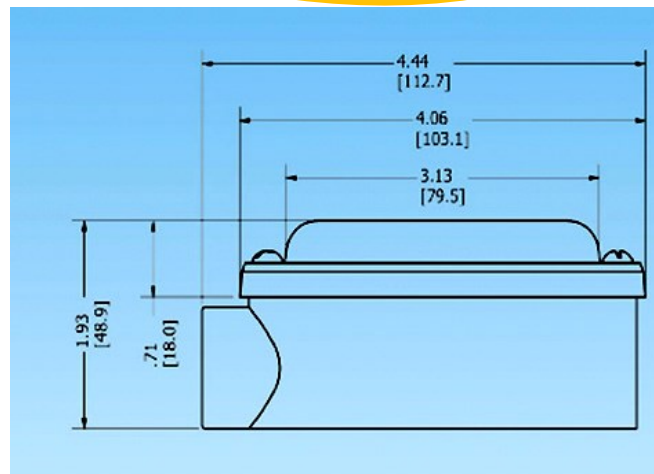
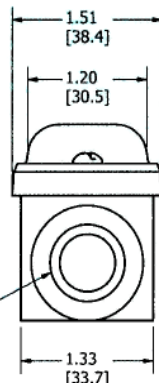


**Better access to feed can improve growth rates, reduce starve-outs and reduce aggressive feeding behavior!**

Specifications	
Light Output Equivalence	Up to 25 W Incandescent
Luminous Flux (nominal)	200 lm
Input Voltage	230 VAC*
Frequency	50/60Hz
Nominal Power	3 W (at full intensity)
Beam Angle	120 degrees
Operating Temperature Range	-20C to 40C
Environmental Ratings	RoHS Compliant
Rated life	50,000 hours
Spectral Output	Full Spectrum White
Power factor	> 0.7
Total Harmonic Distortion	< 50%
Limited Warranty	5 years (24/7 operation)
Dimmable Range	Non-dimmable

\* Not intended for 120V operation

This Lamp installs easily to the electrical junction box of a 230V feed distribution motor. Each lamp provides directional light output of 200 lumens (25W equivalence) using only 3 watts of power. The proprietary LED module is gasket sealed to a Dead-End 1/2" inch aluminum conduit body, allowing a variety of installation methods including flexible metal conduit, standard metal conduit, or direct to a junction box knock-out. Each lamp is rated for 50,000 hours of life, 5-10X longer than CFL and 50X longer than incandescent lamps.



**INDIV...providing poultry solutions for over 50 years!**

email: [sales@indiv.com](mailto:sales@indiv.com) / Phone: 417-862-2673 / [www.indiv.com](http://www.indiv.com) / find us on Facebook

